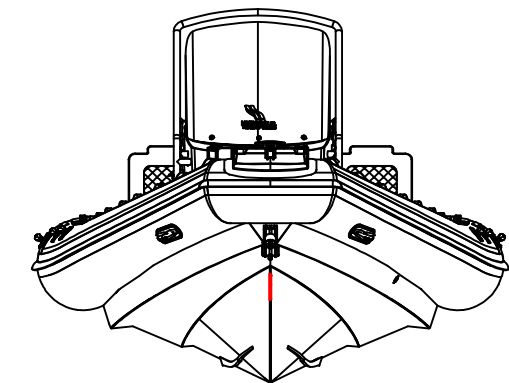
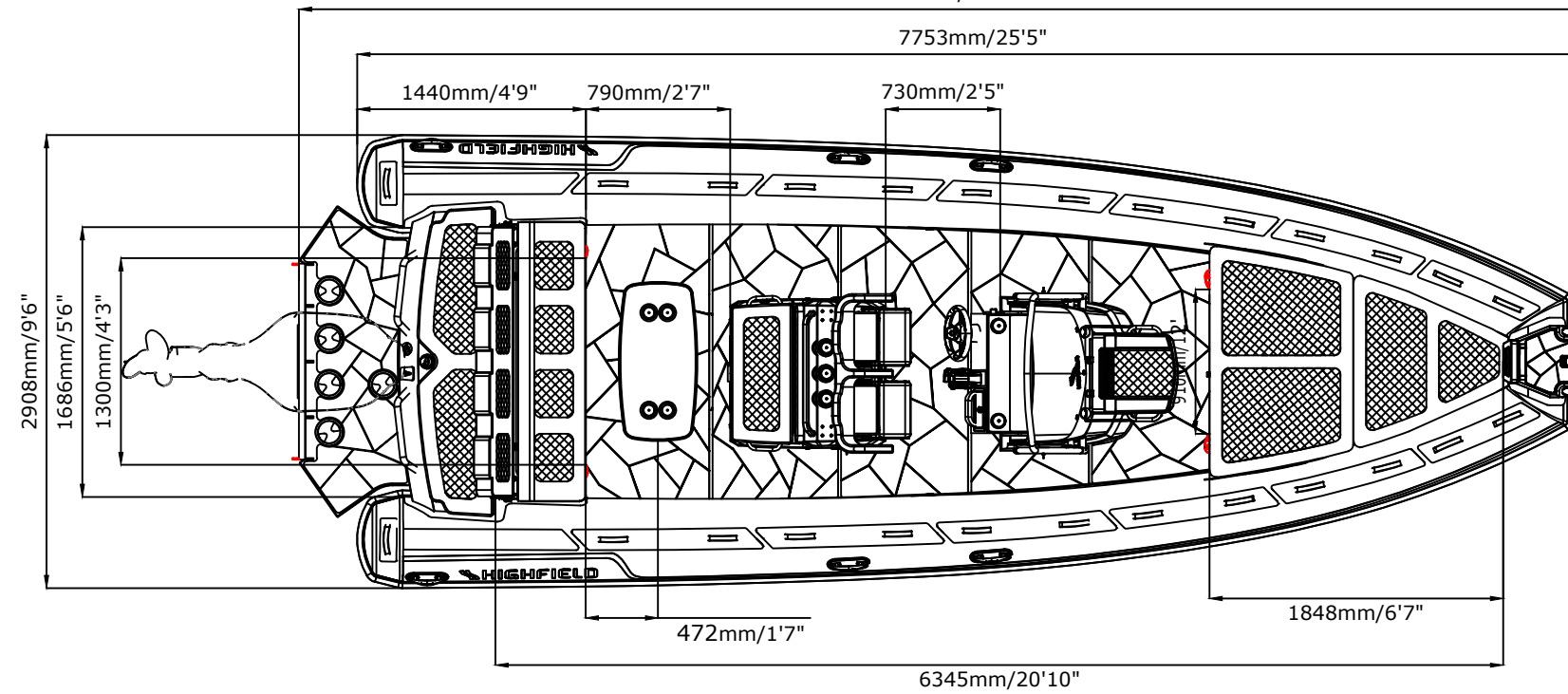
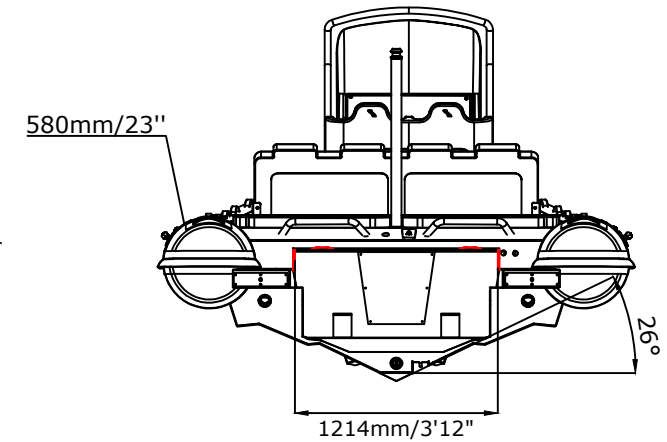
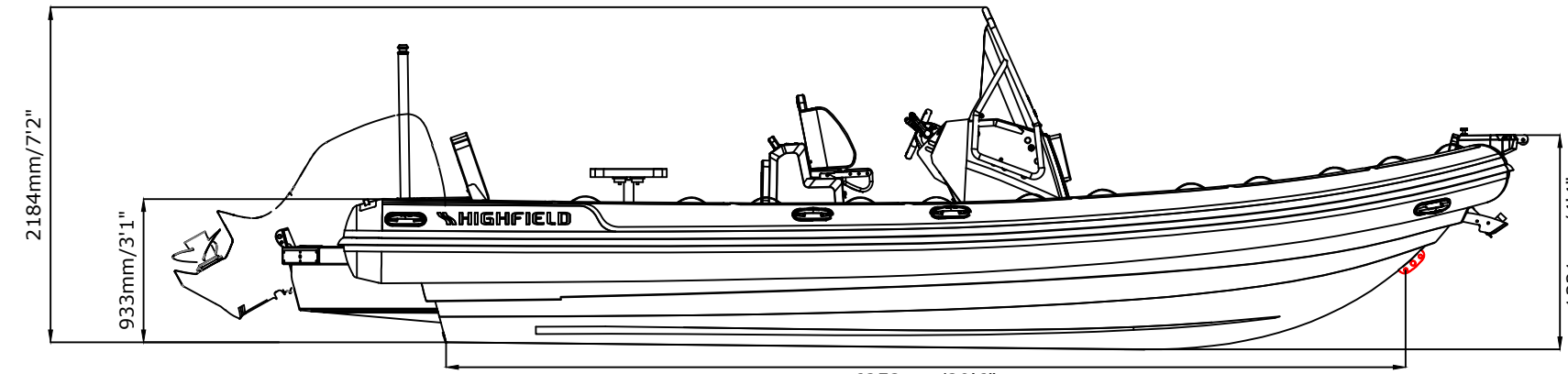


# SPORT 800

# SPECIFICATIONS



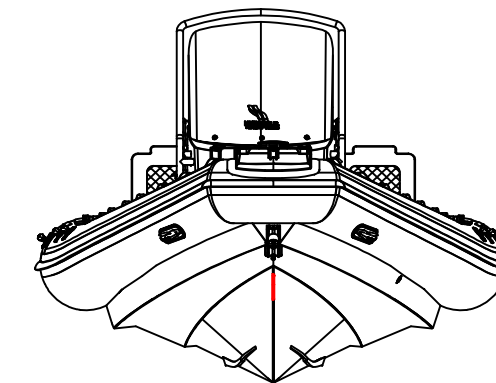
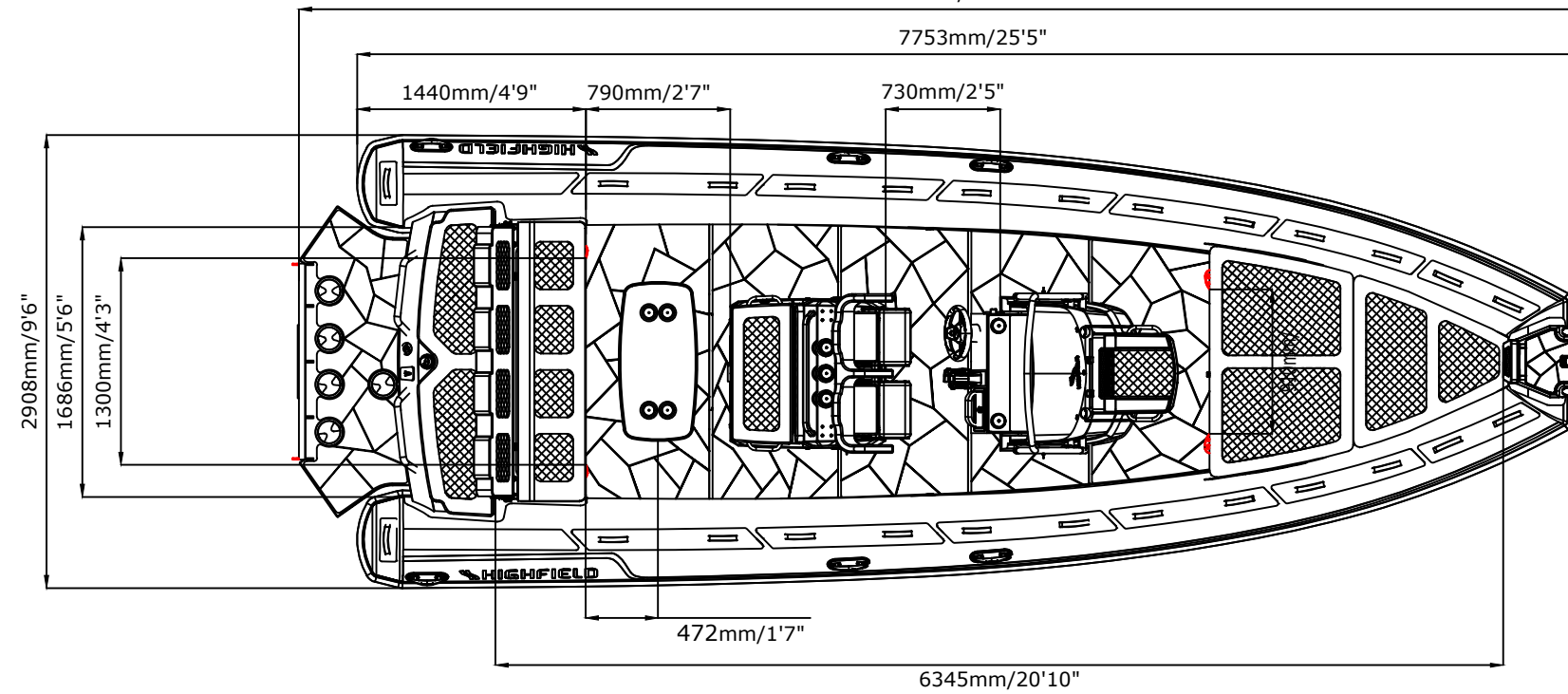
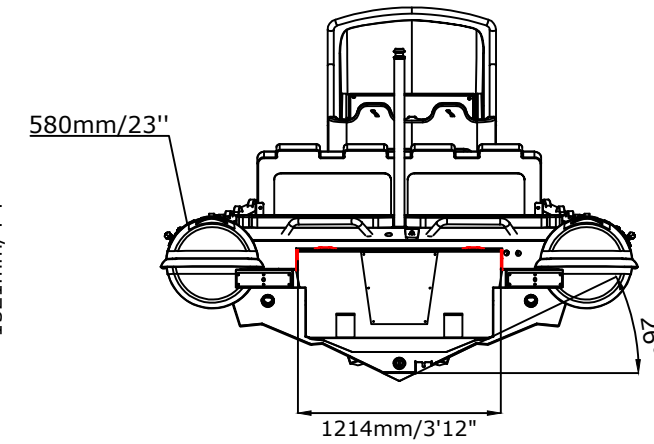
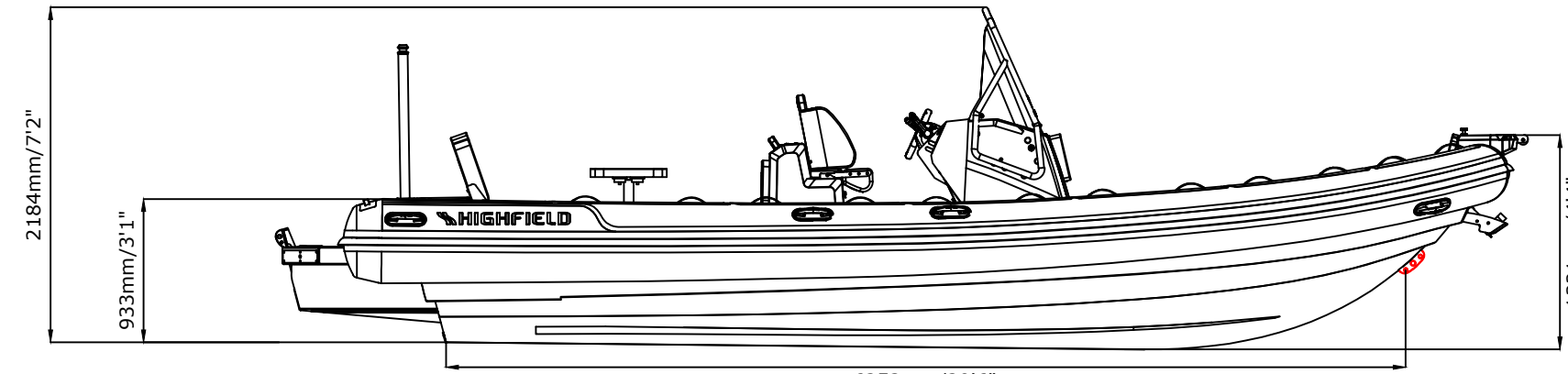
SPECIFICATIONS AND MAXIMUM CAPACITIES (Subject to change without notice. Tolerances: dimensions ±2.5%, weights ±5%)

MODEL	ISO 6185 PART	ISO 6185						 Outboard Engine	 Shaft	Max power		Max weight		 Shower kit		 Rollbar		 Platform		Fuel tank Capacity		Wet Weight (Approximate) 300HP (223.8KW) +Fuel		 AIR CHAMBERS				
			KG	LB	#	KG	LB			KW	HP	KG	LB	KG	LB	KG	LB	KG	LB	L	GAL	KG	LB		PSI	BAR		
SP800	3	C	1890	4167	16	1200	2646	XL		260	350	370	816	1120	2469	14.4	31.7	/	/	/	/	250	66	1671	3683	6	3.63	0.25

Boat weight includes: console, seat, table

# SPORT 800

# SPECIFICATIONS



SPECIFICATIONS AND MAXIMUM CAPACITIES (Subject to change without notice. Tolerances: dimensions ±2.5%, weights ±5%)

MODEL	ISO 6185 PART	ISO 6185	Passengers		#	Weight		Shaft	Outboard Engine		Shower kit		Rollbar		Platform		Fuel tank Capacity		Wet Weight (Approximate) 300HP (223.8KW) +Fuel		AIR CHAMBERS	Pressure					
			KG	LB		KG	LB		Max power	Max weight	KG	LB	KG	LB	KG	LB	KG	LB	KG	LB		PSI	BAR				
									KW	HP	KG	LB					L	GAL									
SP800	3	C	1890	4167	16	1200	2646	XL	260	350	370	816	1120	2469	14.4	31.7	/	/	/	/	250	66	1671	3683	6	3.63	0.25

Boat weight includes: console, seat, table

2023V2